

MM54HC173/MM74HC173 TRI-STATE® Quad D Flip-Flop

General Description

The MM54HC173/MM74HC173 is a high speed TRI-STATE QUAD D TYPE FLIP-FLOP that utilizes advanced silicon-gate CMOS technology. It possesses the low power consumption and high noise immunity of standard CMOS integrated circuits, and can operate at speeds comparable to the equivalent low power Schottky device. The outputs are buffered, allowing this circuit to drive 15 LS-TTL loads. The large output drive capability and TRI-STATE feature make this part ideally suited for interfacing with bus lines in a bus oriented system.

The four D TYPE FLIP-FLOPS operate synchronously from a common clock. The TRI-STATE outputs allow the device to be used in bus organized systems. The outputs are placed in the TRI-STATE mode when either of the two output disable pins are in the logic "1" level. The input disable allows the flip-flops to remain in their present states without having to disrupt the clock. If either of the 2 input disables are taken to a logic "1" level, the Q outputs are fed back to

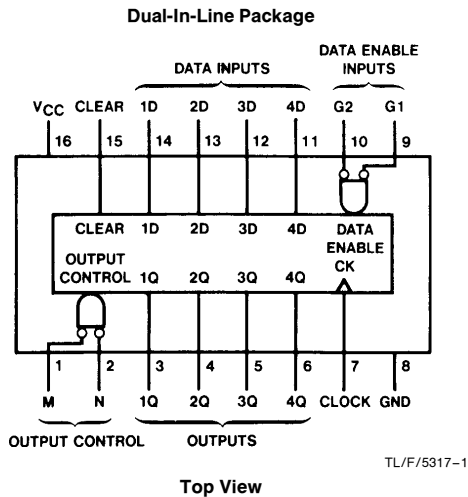
the inputs, forcing the flip flops to remain in the same state. Clearing is enabled by taking the CLEAR input to a logic "1" level. The data outputs change state on the positive going edge of the clock.

The 54HC/74HC logic family is functionally as well as pin-out compatible with the standard 54LS/74LS logic family. All inputs are protected from damage due to static discharge by internal diode clamps to V_{CC} and ground.

Features

- Typical propagation delay: 18 ns
- Wide operating supply voltage range: 2–6V
- TRI-STATE outputs
- Low input current: 1 μ A maximum
- Low quiescent supply current: 80 μ A maximum (74HC)
- High output drive current: 6 mA minimum

Connection Diagram



Order Number MM54HC173 or MM74HC173

Truth Table

Clear	Clock	Inputs			Output Q
		Data Enable		Data	
		G1	G2	D	
H	X	X	X	X	L
L	L	X	X	X	Q_0
L	↑	H	X	X	Q_0
L	↑	X	H	X	Q_0
L	↑	L	L	L	L
L	↑	L	L	H	H

When either M or N (or both) is (are) high the output is disabled to the high-impedance state: however, sequential operation of the flip-flops is not affected.

H = high level (steady state)
 L = low level (steady state)
 ↑ = low-to-high level transition
 X = don't care (any input including transitions)
 Q_0 = the level of Q before the indicated steady state input conditions were established

TRI-STATE® is a registered trademark of National Semiconductor Corp.

Absolute Maximum Ratings (Notes 1 & 2)

If Military/Aerospace specified devices are required, please contact the National Semiconductor Sales Office/Distributors for availability and specifications.

Supply Voltage (V_{CC})	-0.5 to +7.0V
DC Input Voltage (V_{IN})	-1.5 to $V_{CC} + 1.5V$
DC Output Voltage (V_{OUT})	-0.5 to $V_{CC} + 0.5V$
Clamp Diode Current (I_{IK}, I_{OK})	± 20 mA
DC Output Current, per pin (I_{OUT})	± 35 mA
DC V_{CC} or GND Current, per pin (I_{CC})	± 70 mA
Storage Temperature Range (T_{STG})	-65°C to +150°C
Power Dissipation (P_D) (Note 3)	600 mW
S.O. Package only	500 mW
Lead Temperature (T_L) (Soldering 10 seconds)	260°C

Operating Conditions

	Min	Max	Units
Supply Voltage (V_{CC})	2	6	V
DC Input or Output Voltage (V_{IN}, V_{OUT})	0	V_{CC}	V
Operating Temp. Range (T_A)			
MM74HC	-40	+85	°C
MM54HC	-55	+125	°C
Input Rise or Fall Times (t_r, t_f)			
$V_{CC} = 2.0V$		1000	ns
$V_{CC} = 4.5V$		500	ns
$V_{CC} = 6.0V$		400	ns

DC Electrical Characteristics (Note 4)

Symbol	Parameter	Conditions	V_{CC}	$T_A = 25^\circ C$		74HC	54HC	Units
						$T_A = -40$ to $85^\circ C$	$T_A = -55$ to $125^\circ C$	
				Typ	Guaranteed Limits			
V_{IH}	Minimum High Level Input Voltage		2.0V		1.5	1.5	1.5	V
			4.5V		3.15	3.15	3.15	V
			6.0V		4.2	4.2	4.2	V
V_{IL}	Maximum Low Level Input Voltage**		2.0V		0.5	0.5	0.5	V
			4.5V		1.35	1.35	1.35	V
			6.0V		1.8	1.8	1.8	V
V_{OH}	Minimum High Level Output Voltage	$V_{IN} = V_{IH}$ or V_{IL} $ I_{OUT} \leq 20 \mu A$	2.0V	2.0	1.9	1.9	1.9	V
			4.5V	4.5	4.4	4.4	4.4	V
			6.0V	6.0	5.9	5.9	5.9	V
		$V_{IN} = V_{IH}$ or V_{IL} $ I_{OUT} \leq 6.0$ mA $ I_{OUT} \leq 7.8$ mA	4.5V		3.98	3.84	3.7	V
			6.0V		5.48	5.34	5.2	V
V_{OL}	Maximum Low Level Output Voltage	$V_{IN} = V_{IH}$ or V_{IL} $ I_{OUT} \leq 20 \mu A$	2.0V	0	0.1	0.1	0.1	V
			4.5V	0	0.1	0.1	0.1	V
			6.0V	0	0.1	0.1	0.1	V
		$V_{IN} = V_{IH}$ or V_{IL} $ I_{OUT} \leq 6.0$ mA $ I_{OUT} \leq 7.8$ mA	4.5V		0.26	0.33	0.4	V
			6.0V		0.26	0.33	0.4	V
I_{IN}	Maximum Input Current	$V_{IN} = V_{CC}$ or GND	6.0V		± 0.1	± 1.0	± 1.0	μA
I_{OZ}	Maximum TRI-STATE Output Leakage	$V_{OUT} = V_{CC}$ or GND Enable = V_{IH}	6.0V		± 0.5	± 5.0	± 10	μA
I_{CC}	Maximum Quiescent Supply Current	$V_{IN} = V_{CC}$ or GND $I_{OUT} = 0 \mu A$	6.0V		8.0	80	160	μA

Note 1: Absolute Maximum Ratings are those values beyond which damage to the device may occur.

Note 2: Unless otherwise specified all voltages are referenced to ground.

Note 3: Power Dissipation temperature derating — plastic "N" package: -12 mW/°C from 65°C to 85°C; ceramic "J" package: -12 mW/°C from 100°C to 125°C.

Note 4: For a power supply of 5V $\pm 10\%$ the worst case output voltages (V_{OH} , and V_{OL}) occur for HC at 4.5V. Thus the 4.5V values should be used when designing with this supply. Worst case V_{IH} and V_{IL} occur at $V_{CC} = 5.5V$ and 4.5V respectively. (The V_{IH} value at 5.5V is 3.85V.) The worst case leakage current (I_{IN} , I_{CC} , and I_{OZ}) occur for CMOS at the higher voltage and so the 6.0V values should be used.

** V_{IL} limits are currently tested at 20% of V_{CC} . The above V_{IL} specification (30% of V_{CC}) will be implemented no later than Q1, CY'89.

AC Electrical Characteristics $V_{CC}=5V, T_A=25^{\circ}C, C_L=45\text{ pF}, t_r=t_f=6\text{ ns}$					
Symbol	Parameter	Conditions	Typ	Guaranteed Limit	Units
f_{MAX}	Maximum Operating Frequency		45	30	MHz
t_{PHL}, t_{PLH}	Maximum Propagation Delay: Clock to Q			31	ns
t_{PHL}	Maximum Propagation Delay: Clear to Q		18	27	ns
t_{PZH}, t_{PZL}	Maximum Output Enable Time	$R_L=1\text{ k}\Omega$	18	28	ns
t_{PHZ}, t_{PLZ}	Maximum Output Disable Time	$R_L=1\text{ k}\Omega$ $C_L=5\text{ pF}$	16	25	ns
t_S	Minimum Data Setup Time			20	ns
t_S	Minimum Data Enable Setup Time			20	ns
t_H	Minimum Data Hold Time			0	ns
t_H	Minimum Data Enable Hold Time			0	ns
t_W	Minimum Clock Pulse Width			16	ns

AC Electrical Characteristics $V_{CC}=2.0V\text{ to }6.0V, C_L=50\text{ pF}, t_r=t_f=6\text{ ns}$ (unless otherwise specified)									
Symbol	Parameter	Conditions	V_{CC}	$T_A=25^{\circ}C$		74HC	54HC	Units	
						$T_A=-40\text{ to }85^{\circ}C$	$T_A=-55\text{ to }125^{\circ}C$		
				Typ				Guaranteed Limits	
f_{MAX}	Maximum Operating Frequency	$C_L=50\text{ pF}$	2.0V	10	5	4	4	MHz	
			4.5V	45	27	21	18	MHz	
			6.0V	55	32	25	21	MHz	
t_{PHL}, t_{PLH}	Maximum Propagation Delay from Clock to Q	$C_L=50\text{ pF}$	2.0V	80	175	220	262	ns	
			2.0V	110	225	280	338	ns	
		$C_L=50\text{ pF}$	4.5V	23	35	44	53	ns	
			4.5V	28	45	56	68	ns	
		$C_L=50\text{ pF}$	6.0V	21	30	38	45	ns	
			6.0V	26	38	48	57	ns	
t_{PHL}	Maximum Propagation Delay from Clear to Q	$C_L=50\text{ pF}$	2.0V	70	150	189	224	ns	
			2.0V	100	200	252	298	ns	
		$C_L=50\text{ pF}$	4.5V	20	30	38	45	ns	
			4.5V	25	40	50	60	ns	
		$C_L=50\text{ pF}$	6.0V	17	26	32	38	ns	
			6.0V	22	34	43	51	ns	
t_{PZH}, t_{PZL}	Maximum Output Enable Time	$R_L=1\text{ k}\Omega$	2.0V	70	150	189	224	ns	
			2.0V	100	200	252	298	ns	
		$C_L=50\text{ pF}$	4.5V	20	30	38	45	ns	
			4.5V	25	40	50	60	ns	
		$C_L=50\text{ pF}$	6.0V	17	26	32	38	ns	
			6.0V	22	34	43	51	ns	
t_{PHZ}, t_{PLZ}	Maximum Output Disable Time	$R_L=1\text{ k}\Omega$	2.0V	70	150	189	224	ns	
			4.5V	20	30	38	45	ns	
			6.0V	17	26	32	38	ns	
t_S	Minimum Data or Data Enable Setup Time		2.0V		100	125	150	ns	
			4.5V		20	25	30	ns	
			6.0V		17	21	25	ns	
t_{REM}	Minimum Removal Time		2.0V		90	112	135	ns	
			4.5V		18	22	26	ns	
			6.0V		15	19	22	ns	
t_H	Minimum Data or Data Enable Hold Time		2.0V		0	0	0	ns	
			4.5V		0	0	0	ns	
			6.0V		0	0	0	ns	
t_W	Minimum Clear or Clock Pulse Width		2.0V	30	80	100	120	ns	
			4.5V	9	16	20	24	ns	
			6.0V	8	14	17	20	ns	

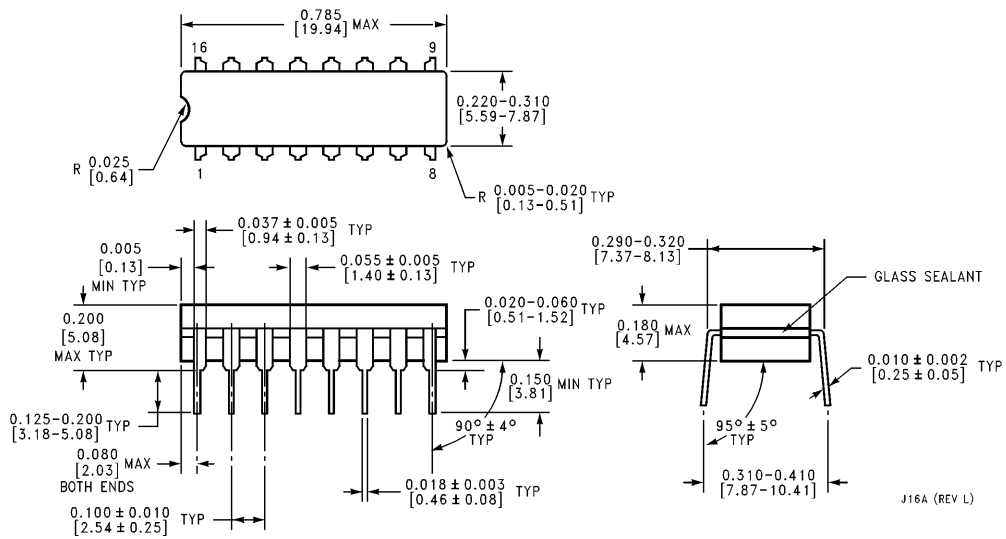
AC Electrical Characteristics (Continued)

$V_{CC}=2.0V$ to $6.0V$, $C_L=50$ pF, $t_r=t_f=6$ ns (unless otherwise specified)

Symbol	Parameter	Conditions	V_{CC}	$T_A = 25^\circ C$		74HC	54HC	Units
						$T_A = -40$ to $85^\circ C$	$T_A = -55$ to $125^\circ C$	
				Typ	Guaranteed Limits			
t_{THL}, t_{TLH}	Maximum Output Rise and Fall Time		2.0V	25	60	75	90	ns
			4.5V	7	12	15	18	ns
			6.0V	5	10	13	15	ns
t_r, t_f	Maximum Input Rise and Fall Time		2.0V		1000	1000	1000	ns
			4.5V		500	500	500	ns
			6.0V		400	400	400	ns
C_{PD}	Power Dissipation Capacitance	(per flop)		80				pF
C_{IN}	Maximum Input Capacitance			5	10	10	10	pF
C_{OUT}	Maximum Output Capacitance			10	20	20	20	pF

Note 5: C_{PD} determines the no load dynamic power consumption, $P_D = C_{PD} V_{CC}^2 f + I_{CC} V_{CC}$, and the no load dynamic current consumption, $I_S = C_{PD} V_{CC} f + I_{CC}$.

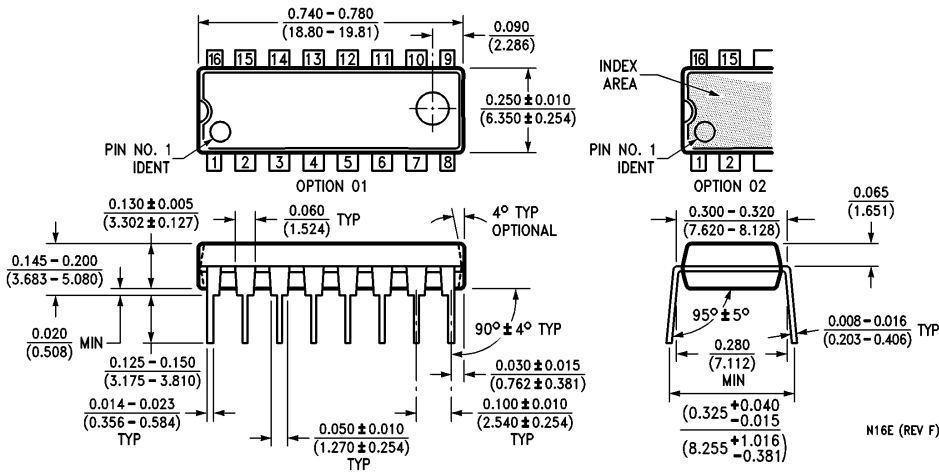
Physical Dimensions inches (millimeters)



J16A (REV L)

Dual-In-Line Package
Order Number MM54HC173J or MM74HC173J
NS Package J16A

Physical Dimensions inches (millimeters) (Continued)



Dual-In-Line Package
Order Number MM74HC173N
NS Package N16E

LIFE SUPPORT POLICY

NATIONAL'S PRODUCTS ARE NOT AUTHORIZED FOR USE AS CRITICAL COMPONENTS IN LIFE SUPPORT DEVICES OR SYSTEMS WITHOUT THE EXPRESS WRITTEN APPROVAL OF THE PRESIDENT OF NATIONAL SEMICONDUCTOR CORPORATION. As used herein:

1. Life support devices or systems are devices or systems which, (a) are intended for surgical implant into the body, or (b) support or sustain life, and whose failure to perform, when properly used in accordance with instructions for use provided in the labeling, can be reasonably expected to result in a significant injury to the user.
2. A critical component is any component of a life support device or system whose failure to perform can be reasonably expected to cause the failure of the life support device or system, or to affect its safety or effectiveness.



National Semiconductor Corporation
 1111 West Bardin Road
 Arlington, TX 76017
 Tel: 1(800) 272-9959
 Fax: 1(800) 737-7018

National Semiconductor Europe
 Fax: (+49) 0-180-530 85 86
 Email: cnjwge@tevm2.nsc.com
 Deutsch Tel: (+49) 0-180-530 85 85
 English Tel: (+49) 0-180-532 78 32
 Français Tel: (+49) 0-180-532 93 58
 Italiano Tel: (+49) 0-180-534 16 80

National Semiconductor Hong Kong Ltd.
 19th Floor, Straight Block,
 Ocean Centre, 5 Canton Rd.
 Tsimshatsui, Kowloon
 Hong Kong
 Tel: (852) 2737-1600
 Fax: (852) 2736-9960

National Semiconductor Japan Ltd.
 Tel: 81-043-299-2309
 Fax: 81-043-299-2408

National does not assume any responsibility for use of any circuitry described, no circuit patent licenses are implied and National reserves the right at any time without notice to change said circuitry and specifications.

This datasheet has been download from:

www.datasheetcatalog.com

Datasheets for electronics components.