

CD4512BM/CD4512BC 8-Channel Buffered Data Selector

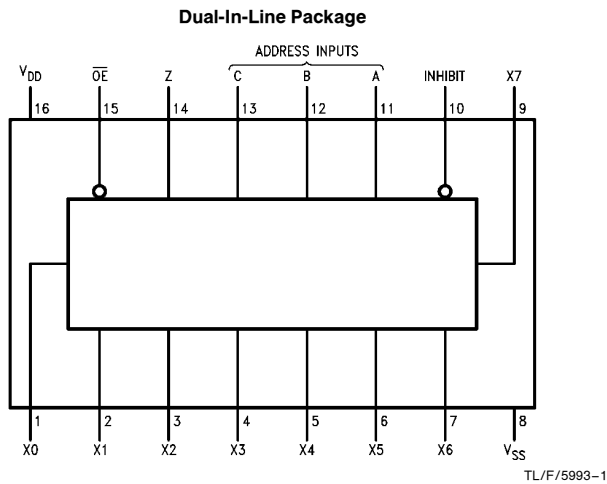
General Description

The CD4512BM/CD4512BC buffered 8-channel data selector is a complementary MOS (CMOS) circuit constructed with N- and P-channel enhancement mode transistors. This data selector is primarily used as a digital signal multiplexer selecting 1 of 8 inputs and routing the signal to a TRI-STATE[®] output. A high level at the Inhibit input forces a low level at the output. A high level at the Output Enable (\overline{OE}) input forces the output into the TRI-STATE condition. Low levels at both the Inhibit and (\overline{OE}) inputs allow normal operation.

Features

- Wide supply voltage range 3.0V to 15V
- High noise immunity 0.45 V_{DD} (typ.)
- TRI-STATE output
- Low quiescent power dissipation 0.25 μ W/package (typ.) @ $V_{CC} = 5.0V$
- Plug-in replacement for Motorola MC14512

Connection Diagram and Truth Table



Top View

Address Inputs			Control Inputs		Output
C	B	A	Inhibit	\overline{OE}	Z
0	0	0	0	0	X0
0	0	1	0	0	X1
0	1	0	0	0	X2
0	1	1	0	0	X3
1	0	0	0	0	X4
1	0	1	0	0	X5
1	1	0	0	0	X6
1	1	1	0	0	X7
⊙	⊙	⊙	1	0	0
⊙	⊙	⊙	⊙	1	Hi-Z

⊙ = Don't care

Hi-Z = TRI-STATE condition

Xn = Data at input n

TRI-STATE[®] is a registered trademark of National Semiconductor Corporation.

Absolute Maximum Ratings (Notes 1 & 2)

If Military/Aerospace specified devices are required, please contact the National Semiconductor Sales Office/Distributors for availability and specifications.

Supply Voltage (V_{DD})	-0.5 to +18 V_{DC}
Input Voltage (V_{IN})	-0.5 to V_{DD} + 0.5 V_{DC}
Storage Temperature Range (T_S)	-65°C to +150°C
Power Dissipation (P_D)	
Dual-In-Line	700 mW
Small Outline	500 mW
Lead Temperature, (T_L)	
(Soldering, 10 seconds)	260°C

Recommended Operating Conditions (Note 2)

DC Supply Voltage (V_{DD})	3.0 to 15 V_{DC}
Input Voltage (V_{IN})	0 to V_{DD} V_{DC}
Operating Temperature Range (T_A)	
CD4512BM	-55°C to +125°C
CD4512BC	-40°C to +85°C

DC Electrical Characteristics CD4512BM (Note 2)

Symbol	Parameter	Conditions	-55°C		+25°C			+125°C		Units
			Min	Max	Min	Typ	Max	Min	Max	
I_{DD}	Quiescent Device Current	$V_{DD} = 5V, V_{IN} = V_{DD}$ or V_{SS}		5.0		0.005	5.0		150	μA
		$V_{DD} = 10V, V_{IN} = V_{DD}$ or V_{SS}		10		0.010	10		300	μA
		$V_{DD} = 15V, V_{IN} = V_{DD}$ or V_{SS}		20		0.015	20		600	μA
V_{OL}	Low Level Output Voltage	$V_{DD} = 5V$		0.05		0	0.05		0.05	V
		$V_{DD} = 10V$		0.05		0	0.05		0.05	V
		$V_{DD} = 15V$		0.05		0	0.05		0.05	V
V_{OH}	High Level Output Voltage	$V_{DD} = 5V$	4.95		4.95	5.0		4.95		V
		$V_{DD} = 10V$	9.95		9.95	10.0		9.95		V
		$V_{DD} = 15V$	14.95		14.95	15.0		14.95		V
V_{IL}	Low Level Input Voltage	$V_{DD} = 5V, V_O = 0.5V$		1.5		2.25	1.5		1.5	V
		$V_{DD} = 10V, V_O = 1.0V$		3.0		4.50	3.0		3.0	V
		$V_{DD} = 15V, V_O = 1.5V$		4.0		6.75	4.0		4.0	V
V_{IH}	High Level Input Voltage	$V_{DD} = 5V, V_O = 4.5V$	3.5		3.5	2.75		3.5		V
		$V_{DD} = 10V, V_O = 9.0V$	7.0		7.0	5.50		7.0		V
		$V_{DD} = 15V, V_O = 13.5V$	11.0		11.0	8.25		11.0		V
I_{OL}	Low Level Output Current (Note 3)	$V_{DD} = 5V, V_O = 0.4V$	0.64		0.51	0.78		0.36		mA
		$V_{DD} = 10V, V_O = 0.5V$	1.6		1.3	2.0		0.9		mA
		$V_{DD} = 15V, V_O = 1.5V$	4.2		3.4	7.8		2.4		mA
I_{OH}	High Level Output Current (Note 3)	$V_{DD} = 5V, V_O = 4.6V$	-0.25		-0.2			-0.14		mA
		$V_{DD} = 10V, V_O = 9.5V$	-0.62		-0.5			-0.35		mA
		$V_{DD} = 15V, V_O = 13.5V$	-1.8		-1.5			-1.1		mA
I_{IN}	Input Current	$V_{DD} = 15V, V_{IN} = 0V$		-0.1		-10^{-5}	-0.1		-1.0	μA
		$V_{DD} = 15V, V_{IN} = 15V$		0.1		10^{-5}	0.1		1.0	μA
I_{OZ}	TRI-STATE Output Current	$V_{DD} = 15V, V_O = 0V$ $V_{DD} = 15V, V_O = 15V$		± 0.1		-10^{-5}	± 0.1		± 3.0	μA

DC Electrical Characteristics CD4512BC (Note 2)

Symbol	Parameter	Conditions	-40°C		+25°C			+85°C		Units
			Min	Max	Min	Typ	Max	Min	Max	
I_{DD}	Quiescent Device Current	$V_{DD} = 5V, V_{IN} = V_{DD}$ or V_{SS}		20		0.005	20		150	μA
		$V_{DD} = 10V, V_{IN} = V_{DD}$ or V_{SS}		40		0.010	40		300	μA
		$V_{DD} = 15V, V_{IN} = V_{DD}$ or V_{SS}		80		0.015	80		600	μA
V_{OL}	Low Level Output Voltage	$V_{DD} = 5V$		0.05		0	0.05		0.05	V
		$V_{DD} = 10V$		0.05		0	0.05		0.05	V
		$V_{DD} = 15V$		0.05		0	0.05		0.05	V
V_{OH}	High Level Output Voltage	$V_{DD} = 5V$	4.95		4.95	5.0		4.95		V
		$V_{DD} = 10V$	9.95		9.95	10.0		9.95		V
		$V_{DD} = 15V$	14.95		14.95	15.0		14.95		V
V_{IL}	Low Level Input Voltage	$V_{DD} = 5V, V_O = 0.5V$		1.5		2.25	1.5		1.5	V
		$V_{DD} = 10V, V_O = 1.0V$		3.0		4.50	3.0		3.0	V
		$V_{DD} = 15V, V_O = 1.5V$		4.0		6.75	4.0		4.0	V

DC Electrical Characteristics CD4512BC (Note 2) (Continued)

Symbol	Parameter	Conditions	−40°C		+25°C			+85°C		Units
			Min	Max	Min	Typ	Max	Min	Max	
V _{IH}	High Level Input Voltage	V _{DD} = 5V, V _O = 4.5V	3.5		3.5	2.75		3.5		V
		V _{DD} = 10V, V _O = 9.0V	7.0		7.0	5.50		7.0		V
		V _{DD} = 15V, V _O = 13.5V	11.0		11.0	8.25		11.0		V
I _{OL}	Low Level Output Current (Note 3)	V _{DD} = 5V, V _O = 0.4V	0.52		0.44	0.78		0.36		mA
		V _{DD} = 10V, V _O = 0.5V	1.3		1.1	2.0		0.9		mA
		V _{DD} = 15V, V _O = 1.5V	3.6		3.4	7.8		2.4		mA
I _{OH}	High Level Output Current (Note 3)	V _{DD} = 5V, V _O = 4.6V	−0.2		−0.16			−0.12		mA
		V _{DD} = 10V, V _O = 9.5	−0.5		−0.4			−0.3		mA
		V _{DD} = 15V, V _O = 13.5V	−1.4		−1.2			−1.0		mA
I _{IN}	Input Current	V _{DD} = 15V, V _{IN} = 0V		−0.3		−10 ^{−5}	−0.3		−1.0	μA
		V _{DD} = 15V, V _{IN} = 15V		0.3		10 ^{−5}	0.3		1.0	μA
I _{OZ}	TRI-STATE Output Current	V _{DD} = 15V, V _O = 0V V _{DD} = 15V, V _O = 15V		±1.0		±10 ^{−5}	±1.0		±7.5	μA

AC Electrical Characteristics* T_A = 25°C, t_r = t_f = 20 ns, C_L = 50 pF

Symbol	Parameter	Conditions	CD4512BM			CD4512BC			Units
			Min	Typ	Max	Min	Typ	Max	
t _{PHL}	Propagation Delay High-to-Low Level	V _{DD} = 5V		225	500		225	750	ns
		V _{DD} = 10V		75	175		75	200	ns
		V _{DD} = 15V		57	130		57	150	ns
t _{PLH}	Propagation Delay Low-to-High Level	V _{DD} = 5V		225	500		225	750	ns
		V _{DD} = 10V		75	175		75	200	ns
		V _{DD} = 15V		57	130		57	150	ns
t _{THL} , t _{TLH}	Transition Time	V _{DD} = 5V		70	200		70	200	ns
		V _{DD} = 10V		35	100		35	100	ns
		V _{DD} = 15V		25	80		25	80	ns
t _{PHZ} , t _{PLZ}	Propagation Delay into TRI-STATE from Logic Level	V _{DD} = 5V		50	125		50	125	ns
		V _{DD} = 10V		25	75		25	75	ns
		V _{DD} = 15V		19	60		19	60	ns
t _{PZH} , t _{PZL}	Propagation Delay to Logic Level from TRI-STATE	V _{DD} = 5V		50	125		50	125	ns
		V _{DD} = 10V		25	75		25	75	ns
		V _{DD} = 15V		19	60		19	60	ns
C _{IN}	Input Capacitance	(Note 4)		7.5	15		7.5	15	pF
C _{OUT}	TRI-STATE Output Capacitance	(Note 4)		7.5	15		7.5	15	pF
C _{PD}	Power Dissipation Capacity	(Note 5)		150			150		pF

*AC Parameters are guaranteed by DC correlated testing.

Note 1: "Absolute Maximum Ratings" are those values beyond which the safety of the device cannot be guaranteed. They are not meant to imply that the devices should be operated at these limits. The tables of "Recommended Operating Conditions" and "Electrical Characteristics" provide conditions for actual device operation.

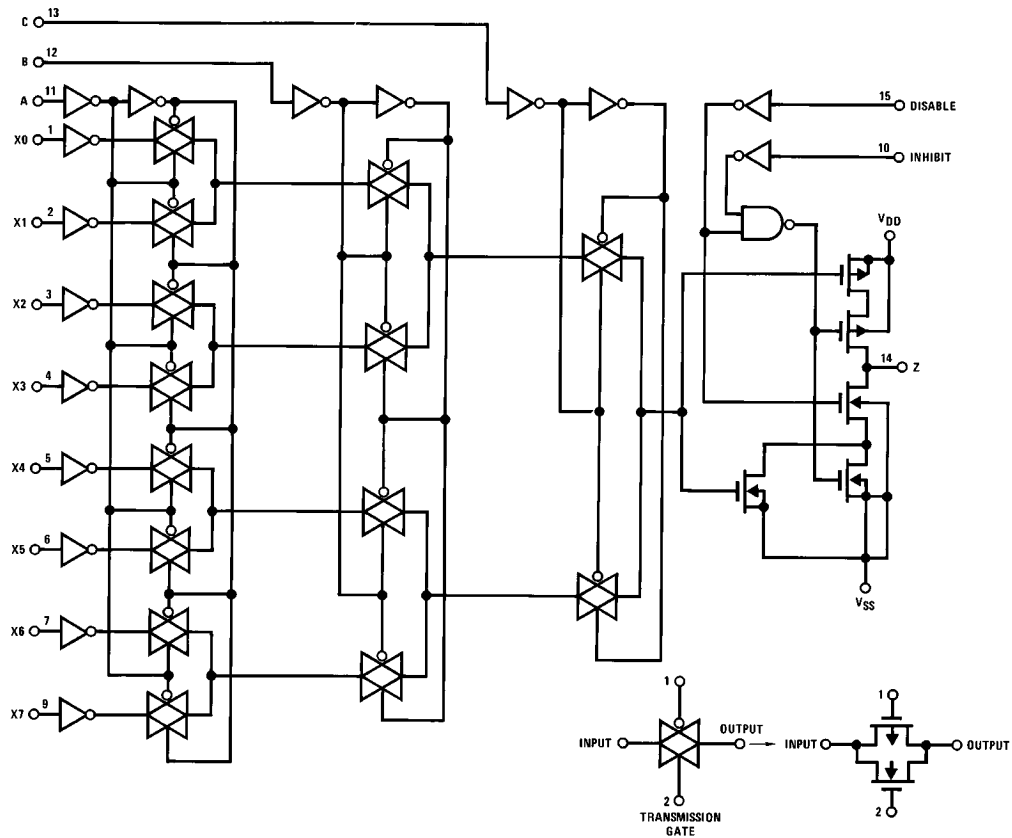
Note 2: V_{SS} = 0V unless otherwise specified.

Note 3: I_{OH} and I_{OL} are tested one output at a time.

Note 4: Capacitance guaranteed by periodic testing.

Note 5: C_{PD} determines the no load AC power of any CMOS device. For complete explanation, see 54C/74C Family Characteristics Application Note, AN-90.

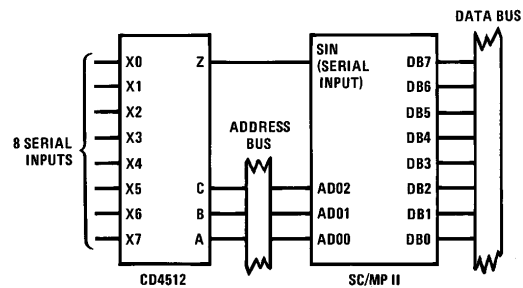
Logic Diagram



TL/F/5993-2

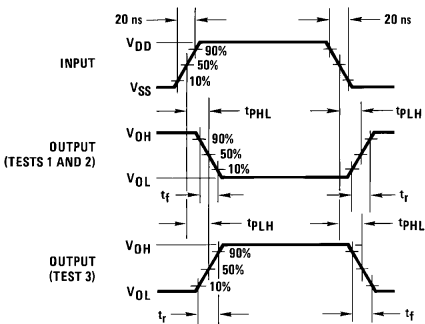
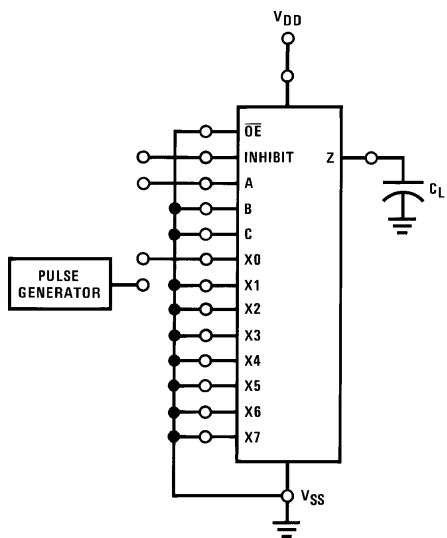
Typical Application

Serial Data Routing Interface



TL/F/5993-3

AC Test Circuit and Switching Time Waveforms



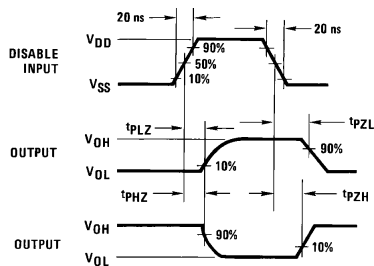
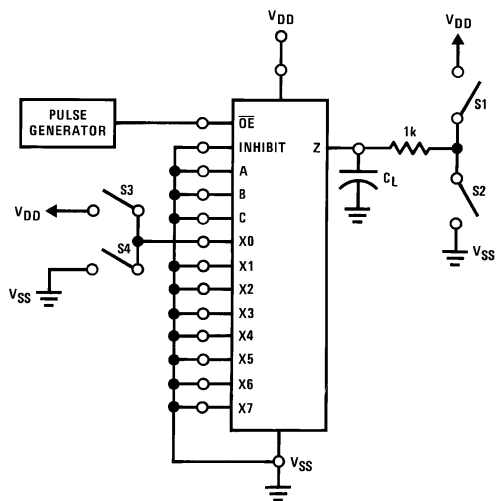
TL/F/5993-5

TL/F/5993-4

Input Connections for t_r , t_f , t_{PLH} , t_{PHL}

Test	Inhibit	A	X0
1	PG	GND	V_{DD}
2	GND	PG	V_{DD}
3	GND	GND	PG

TRI-STATE AC Test Circuit and Switching Time Waveforms



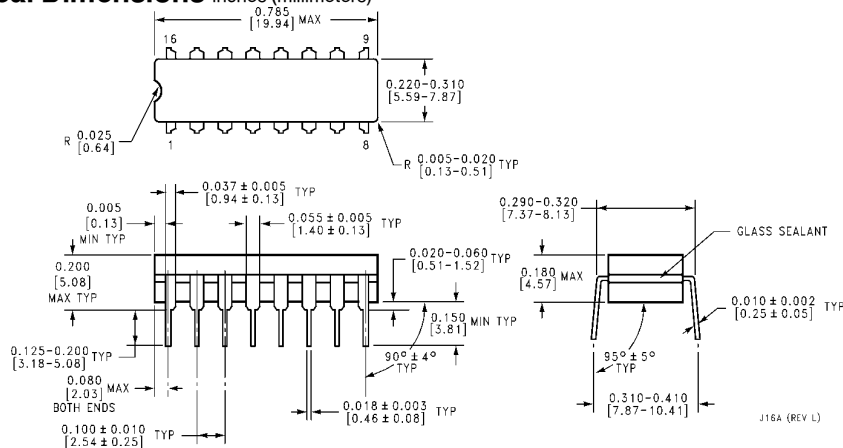
TL/F/5993-7

TL/F/5993-6

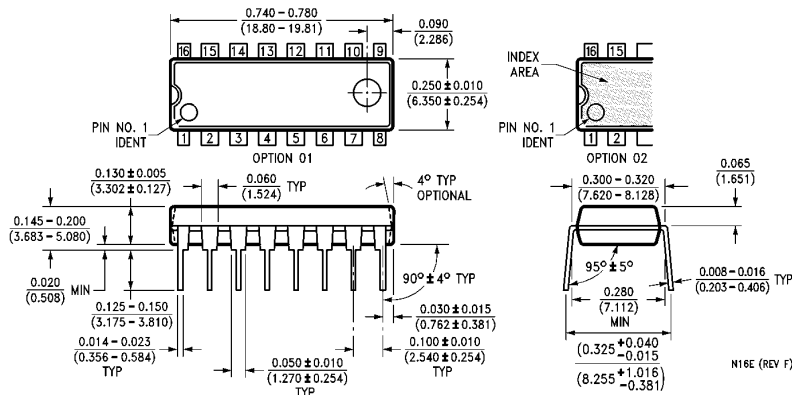
Switch Positions for TRI-STATE Test

Test	S1	S2	S3	S4
t_{PHZ}	Open	Closed	Closed	Open
t_{PLZ}	Closed	Open	Open	Closed
t_{PZL}	Closed	Open	Open	Closed
t_{PZH}	Open	Closed	Closed	Open

Physical Dimensions inches (millimeters)



Ceramic Dual-In-Line Package (J)
Order Number CD4512BMJ or CD4512BCJ
NS Package Number J16A



Molded Dual-In-Line Package (N)
Order Number CD4512BMN or CD4512BCN
NS Package Number N16E

LIFE SUPPORT POLICY

NATIONAL'S PRODUCTS ARE NOT AUTHORIZED FOR USE AS CRITICAL COMPONENTS IN LIFE SUPPORT DEVICES OR SYSTEMS WITHOUT THE EXPRESS WRITTEN APPROVAL OF THE PRESIDENT OF NATIONAL SEMICONDUCTOR CORPORATION. As used herein:

1. Life support devices or systems are devices or systems which, (a) are intended for surgical implant into the body, or (b) support or sustain life, and whose failure to perform, when properly used in accordance with instructions for use provided in the labeling, can be reasonably expected to result in a significant injury to the user.
2. A critical component is any component of a life support device or system whose failure to perform can be reasonably expected to cause the failure of the life support device or system, or to affect its safety or effectiveness.



National Semiconductor Corporation
 1111 West Bardin Road
 Arlington, TX 76017
 Tel: (800) 272-9959
 Fax: (800) 737-7018

National Semiconductor Europe
 Fax: (+49) 0-180-530 85 86
 Email: cnjwge@tevm2.nsc.com
 Deutsch Tel: (+49) 0-180-530 85 85
 English Tel: (+49) 0-180-532 78 32
 Français Tel: (+49) 0-180-532 93 58
 Italiano Tel: (+49) 0-180-534 16 80

National Semiconductor Hong Kong Ltd.
 19th Floor, Straight Block,
 Ocean Centre, 5 Canton Rd.
 Tsimshatsui, Kowloon
 Hong Kong
 Tel: (852) 2737-1600
 Fax: (852) 2736-9960

National Semiconductor Japan Ltd.
 Tel: 81-043-299-2309
 Fax: 81-043-299-2408

National does not assume any responsibility for use of any circuitry described, no circuit patent licenses are implied and National reserves the right at any time without notice to change said circuitry and specifications.

This datasheet has been downloaded from:

www.DatasheetCatalog.com

Datasheets for electronic components.